

# MTS

Media Technical System

by *MovieTech*

# HOIST-SYSTEM

... premium lighting suspension!

MTS - Motorized Hoist SLP 1000 B

## SLP 1000 B

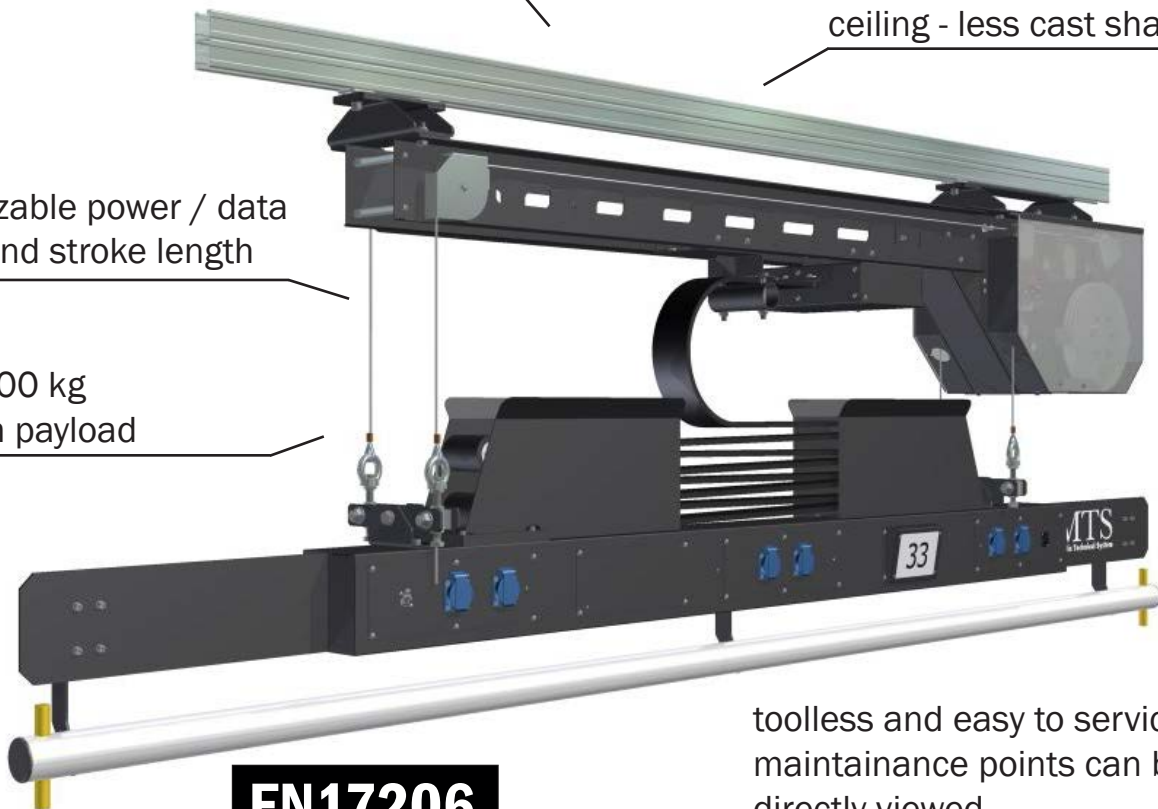
fully compliant with the strictest safety regulations DIN 56950-2 and DGUV V17

Reliable lighting suspension for stage and studio !

motor unit remains on the ceiling - less cast shadow

customizable power / data supply and stroke length

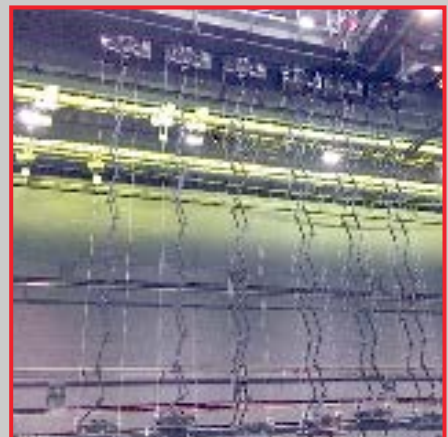
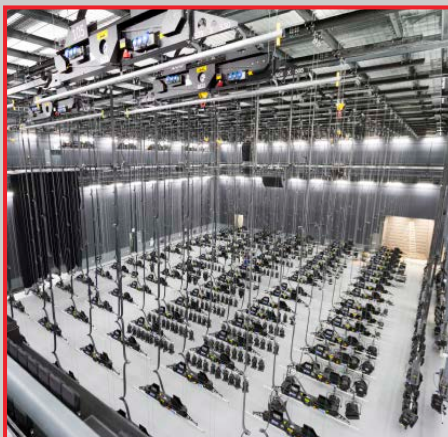
up to 200 kg uniform payload



toolless and easy to service; all maintenance points can be directly viewed

**EN17206**

**COMPLIANT**



# MTS HOIST-SYSTEM

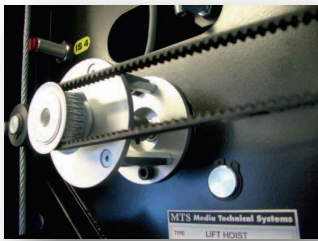
Media Technical System

by **MovieTech**

... premium lighting suspension!

## MTS - Motorized Hoist SLP 1000 B

### SLP 1000 B



- Point aload capacity of 100 kg between the ropes
- Transmission: dynamically self-locking drive
- Supporting cables: four cables, each  $d = 4\text{mm}$
- Overload- and slack rope detection on each cable
- Motor: 3x 230/400V, 50Hz, 12kg, 1,5kW, 300 Nm
- Motor protection: protected against thermal overload and IP 54
- Power and data circuit: upon request (direct, dimmed, DMX, Ethernet, video, audio, etc.)
- Flat cable or scissors available
- Load bar: length 2-6m, standard: 3 m,  $d=48\text{mm}$  pipe, optional: MTS AS tube A and B
- Additional: motor control unit to meet the specific requirements, IP 20
- Control-options: MTS FCP 900 (wired or wireless), MTS RFS TC 4 (telecommander), fully automated control system
- Safety standards: EN17206, DGUV Vorschrift 17 (former BGV C1/ VBG 70) and DIN 56950-2 (former DIN 15560)

Absolute position sensing with high-precision potentiometer



RFS TC 4

FCP 900

V Version	# Item No.	Payload (evenly distributed load)	Payload (point load under each pair of cables)	Max. drop	Kg Dead weight	Average speed
SLP 1000 B – 7 m	319.100	200 kg	100kg	7 m	110 kg	0,16 m/s
SLP 1000 B – 11 m	319.100	180 kg	90 kg	11 m	135 kg	0,16 m/s

### MTS – Media Technical System



We – **MTS Media Technical System** – have now more than 20 years of experience in designing and manufacturing **premium quality lighting suspension** for stage and studio. Since 2006 we are part of the **MovieTech AG**.

Our goal is to manufacture every single product with the **highest possible quality** and to **over-fulfill our customer's expectations**. We are proud to call many of the major broadcasting companies all around the globe our customer-base.

We produce all our products order-related in our **optimized production facility** and thus meet the specific requirements of every individual project. In combination with their reliability our products **simplify the daily work** on stage and in the studio.

**MovieTech AG** | Martin-Kollar-Str. 9 | D-81829 München | Tel: +49 (0)89 43 68 91 3 | [info@movietech.de](mailto:info@movietech.de)

**MovieTech Sagl.** | Via Corti 5 | CH-6828 Balerna | Tel: +41 (0)916 83 06 06 | [k.shore@movietech.de](mailto:k.shore@movietech.de)

**MTS – Media Technical System** | Lochenice 215 | CZ-50302 Lochenice | Tel: +420 (0) 495 533 004 | [info@mts-germany.com](mailto:info@mts-germany.com)